



Graver Technologies

Filtration | Separation | Purification

## IHP™ Series Industrial Filter Housings

### High-Purity Industrial Housings

The IHP Series of industrial housings are engineered for filtration applications involving chemical systems, high-purity water or critical process streams requiring high-purity output. These rugged vessels are constructed entirely of 316L stainless steel to optimize corrosion resistance. Design characteristics minimize hold-up volumes, provide for easy draining and optimized cleanability. Available as bottom open "T" style for 3 round – 7 round and top open "T" style for 12 and 21 round.

### Housing Features-Benefits

- Constructed of 316L stainless steel  
Maximum corrosion resistance and purity
- Unique bolt-down design  
Simple, convenient and assures seal integrity
- Easy draining  
Tapered bottom permits complete draining
- Available in three round to 21 round, from 10" to 40" high
- Accommodates industry standard cartridge configurations

### Housing Specifications

#### Materials:

316L Stainless Steel

EPDM O-ring (other options available)

#### Filter Connections:

DOE, 226, 222

#### Sizes:

3, 5, 6, 7, 12, 21 Round: 10", 20", 30", 40"

#### Closure:

Opti-Clamp Bolt down

#### Maximum Pressure Rating:

125psi @ 200°F (8.6 bar @ 93°C)

#### Surface Finish:

External surfaces: Bead-blasted and passivated

Internal surfaces: Mill finish and passivated

### Available Options

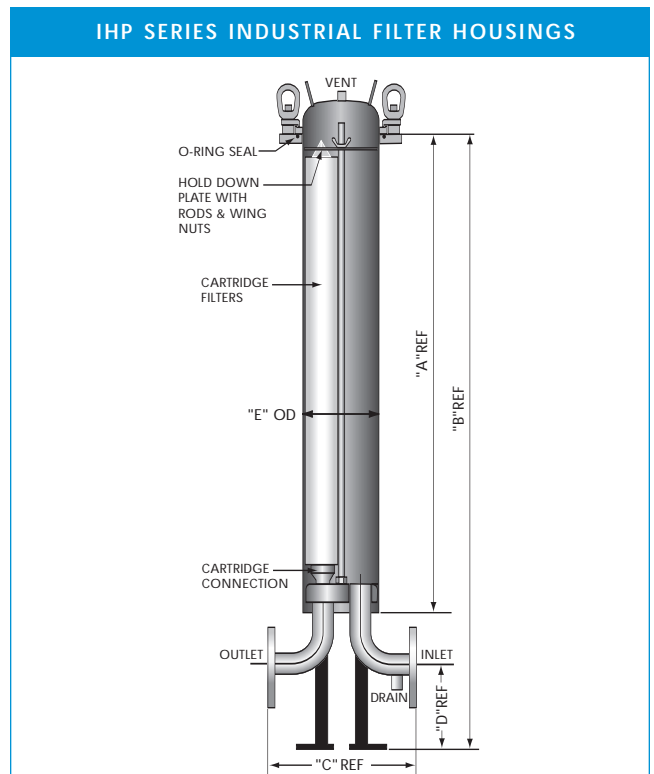
- 150lb ANSI raised face flange
- Multiple Triclamp/NPT Inlet/Outlet sizes
- Electropolished

### Applications

- High Purity Chemicals
- Edible Oils
- High Purity Water
- Beverages



IHP Series Industrial Filter Housings



## IHP Series Industrial Filter Housings Dimensional Data

Model	Vent/Drain	Inlet/Outlet	A	B	C	D	E
3IHP-1	1/2" Triclamp/NPT	2" Triclamp/NPT	18.25"	28.50"	13.50"	6.0"	6.6"
3IHP-2	1/2" Triclamp/NPT	2" Triclamp/NPT	28.35"	38.50"	13.50"	6.0"	6.6"
3IHP-3	1/2" Triclamp/NPT	2" Triclamp/NPT	38.25"	48.50"	13.50"	6.0"	6.6"
3IHP-4	1/2" Triclamp/NPT	2" Triclamp/NPT	48.25"	58.50"	13.50"	6.0"	6.6"
5IHP-1	1/2" Triclamp/NPT	2" Triclamp/NPT	18.25"	28.50"	13.0"	6.0"	8.62"
5IHP-2	1/2" Triclamp/NPT	2" Triclamp/NPT	28.35"	38.50"	13.0"	6.0"	8.62"
5IHP-3	1/2" Triclamp/NPT	2" Triclamp/NPT	38.25"	48.50"	13.0"	6.0"	8.62"
5IHP-4	1/2" Triclamp/NPT	2" Triclamp/NPT	48.25"	58.50"	13.0"	6.0"	8.62"
7IHP-1	1/2" Triclamp/NPT	2 or 3" Triclamp/NPT	19.50"	31.75"	18.13"	6.50"	10.0"
7IHP-2	1/2" Triclamp/NPT	2 or 3" Triclamp/NPT	29.50"	41.75"	18.13"	6.50"	10.0"
7IHP-3	1/2" Triclamp/NPT	2 or 3" Triclamp/NPT	39.50"	51.75"	18.13"	6.50"	10.0"
7IHP-4	1/2" Triclamp/NPT	2 or 3" Triclamp/NPT	49.50"	61.75"	18.13"	6.50"	10.0"
12IHP-1*	1/2" Triclamp/NPT	3 or 4" Triclamp/NPT	21.50"	33.75"	19.75"	6.50"	12.75"
12IHP-2*	1/2" Triclamp/NPT	3 or 4" Triclamp/NPT	31.50"	43.75"	19.75"	6.50"	12.75"
12IHP-3*	1/2" Triclamp/NPT	3 or 4" Triclamp/NPT	41.50"	53.75"	19.75"	6.50"	12.75"
12IHP-4*	1/2" Triclamp/NPT	3 or 4" Triclamp/NPT	51.50"	63.75"	19.75"	6.50"	12.75"
21IHP-1*	1/2" Triclamp/NPT	3 or 4" Triclamp/NPT	20.50"	35.75"	25.0"	6.50"	18.0"
21IHP-2*	1/2" Triclamp/NPT	3 or 4" Triclamp/NPT	30.50"	45.75"	25.0"	6.50"	18.0"
21IHP-3*	1/2" Triclamp/NPT	3 or 4" Triclamp/NPT	40.50"	55.75"	25.0"	6.50"	18.0"
21IHP-4*	1/2" Triclamp/NPT	3 or 4" Triclamp/NPT	50.50"	66.75"	25.0"	6.50"	18.0"

\* Top open design

## IHP Series Nomenclature Information

5IHP	3	-222	-NPT	-NPT	-2	-E	-EP
Model	Cartridge Height 10" lengths	Cartridge Connection	Vent/Drain	Inlet/Outlet	Inlet/Outlet Size	Gasket	Options
3IHP	1	DOE	NPT	NPT	2 = 2 Inches 3 = 3 Inches 4 = 4 Inches	E - EPDM S - Silicone T - Teflon encap Viton V - Viton	EP = Electro polish
5IHP	2	222	TC	TC			
6IHP	3	226		F			
7IHP	4						
12IHP							
21IHP							

Example: 5IHP3-222-NPT-NPT-2-E-EP

### For more information

Graver Technologies Customer Service: **1-888-353-0303**

Technical Support: **1-800-510-0932**

E-mail us at [info@gravertech.com](mailto:info@gravertech.com)

Graver Technologies Europe (UK): **+44-1424-777791**

DISTRIBUTED BY:

All information and recommendations appearing in this bulletin concerning the use of products described herein are based on tests believed to be reliable. However, it is the user's responsibility to determine the suitability for his own use of such products. Since the actual use by others is beyond our control, no guarantee, expressed or implied, is made by Graver Technologies as to the effects of such use or the results to be obtained. Graver Technologies assumes no liability arising out of the use by others of such products. Nor is the information herein to be construed as absolutely complete, since additional information may be necessary or desirable when particular or exceptional conditions or circumstances exist or because of applicable laws or government regulations. IHP is a trademark of Graver Technologies, LLC.



**Graver Technologies**

200 Lake Drive  
Glasgow,  
DE 19702 U.S.A.

302-731-1700  
800-249-1990  
Fax: 302-369-0938

e-mail: [info@gravertech.com](mailto:info@gravertech.com)  
web site: [www.gravertech.com](http://www.gravertech.com)

